

Optical Switches

SX4 Benchtop Optical Switch

KEY FEATURES

- 1A, 2B, 2C configurations
- Low IL at 0.7 dB
- Singlemode or multi-mode

APPLICATIONS

- Manufacturing production testing
- Multiple device testing
- R&D applications
- System compliance testing

COMPLIANCE

- UL/CSA 61010
- IEC 61010
- FCC Part 15 (Class A)
- EN 61326 (Class A)

IN THE BOX

- SX4 Switch
- AC power cord
- Test Report



PRODUCT DESCRIPTION

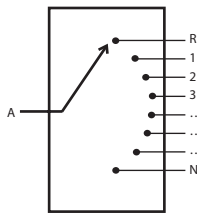
JGR's SX4 fiberoptic switches are benchtop instruments ideal for manufacturing production testing. A variety of configurations including 1x2 up to 1x24 are available. The SX4 offers low insertion loss and excellent repeatability, with the advantage of ease of use and portability.

The switch is controlled via remote interface (GPIB, RS232, or USB*) or locally via the user-friendly front panel keypad and display. For additional flexibility, the front panel bulkheads may be fitted with typical FC/UPC, FC/APC, SC/UPC, or SC/APC connector types.

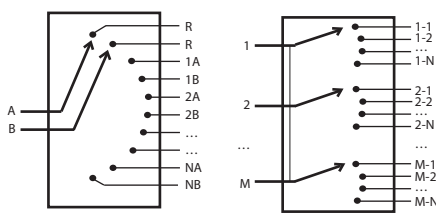
*USB interface via-USB-DB9 adapter

CONFIGURATION OPTIONS

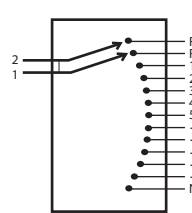
A-Configuration: 1xN



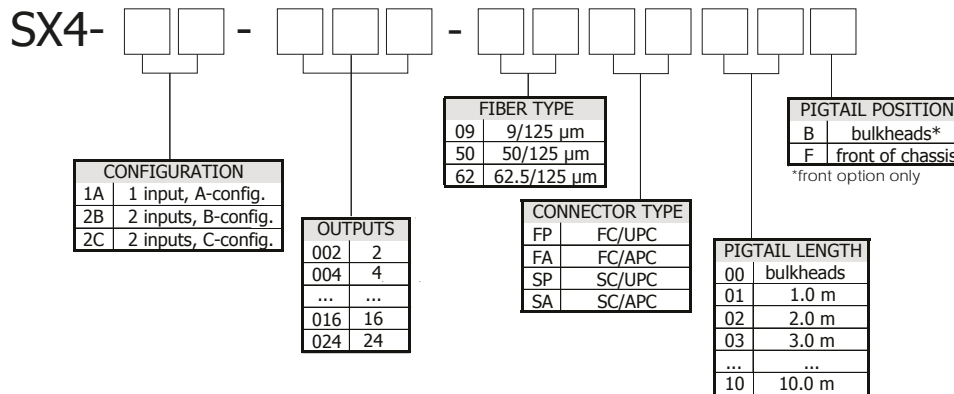
B-Configuration: Ganged 1xN (MxN) Configurations



C-Configuration MxN Non-blocking



ORDERING SCHEME



HOW TO ORDER

Choose one characteristic from each column and assemble the part number.

CONTACT US

JGR Optics Inc.
160 Michael Cowpland Dr.
Ottawa, Ontario
K2M 1P6 CANADA

Tel: 613-599-1000
Fax: 613-599-1099
Email: info@jgroptics.com

All information contained herein is believed to be accurate and is subject to change without notice. No responsibility is assumed for its use. JGR Optics Inc. 2015

SPECIFICATIONS

OPTICAL / ELECTRICAL SPECIFICATIONS		
Parameter	Specification	
	Single-mode	Multimode
Wavelength Range (nm)	1250 - 1670	840 - 1350
Insertion Loss (dB) ¹	0.7	
Backreflection (dB) ¹	≤ -60	≤ -40
PDL (dB)	0.05	N/A
Repeatability (random switching) (dB)	± 0.03	
Repeatability (sequential) (dB)	± 0.005	
Crosstalk (maximum) (dB)	-80	
Maximum Input Power (mW)	300	
Switching Time (ms)	300	
Input Voltage	100 - 240 V AC, 50 - 60 Hz	
Power Consumption (VA)	60 maximum	
Control	Front Panel / GPIB / RS232 / USB ²	
Switch Life	10 ⁸ cycles	

¹ Excluding connectors.

² USB interface via-USB-DB9 adapter.

MECHANICAL / ENVIRONMENTAL SPECIFICATIONS		
Parameter	Specification	
	Single-mode	Multimode
Unit Dimensions W x H x D (cm)	25 x 12 x 27	
Shipping Box Dimensions W x H x D (cm)	37 x 25 x 38	
Unit Weight (kg)	3	
Total Shipment Weight (kg)	4	
Operating Temperature (°C)	0 to 55	
Storage Temperature (°C)	-40 to 70	
Humidity (Non-condensing) (°C)	Maximum 95% RH from 0 to 40	

CONTACT US

JGR Optics Inc.

160 Michael Cowpland Dr.
Ottawa, Ontario
K2M 1P6 CANADA

Tel: 613-599-1000

Fax: 613-599-1099

Email: info@jgroptics.com

All information contained herein is believed to be accurate and is subject to change without notice. No responsibility is assumed for its use. JGR Optics Inc. 2015