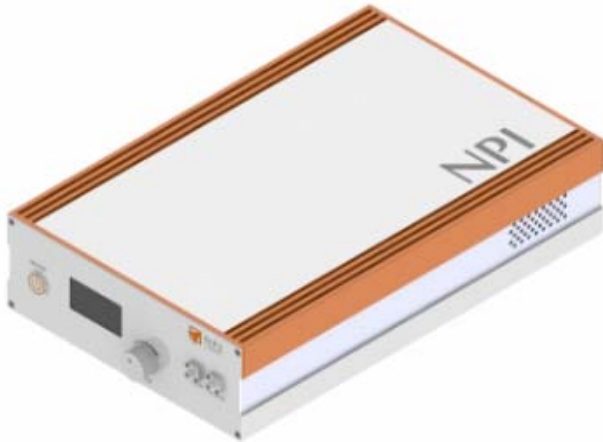


# AMP-Tm-2000

## Thulium-doped Fiber Amplifier



### FEATURES

- Wide wavelength range
- Low noise figure
- Diffraction limited beam
- Turn-key system
- No maintenance required

NPI's Thulium doped fiber amplifier **AMP-Tm-2000** features high average output power and broad gain bandwidth. It has many advantages over traditional bulk solid state systems for its compactness, high stability, ease of use and low maintenance required.

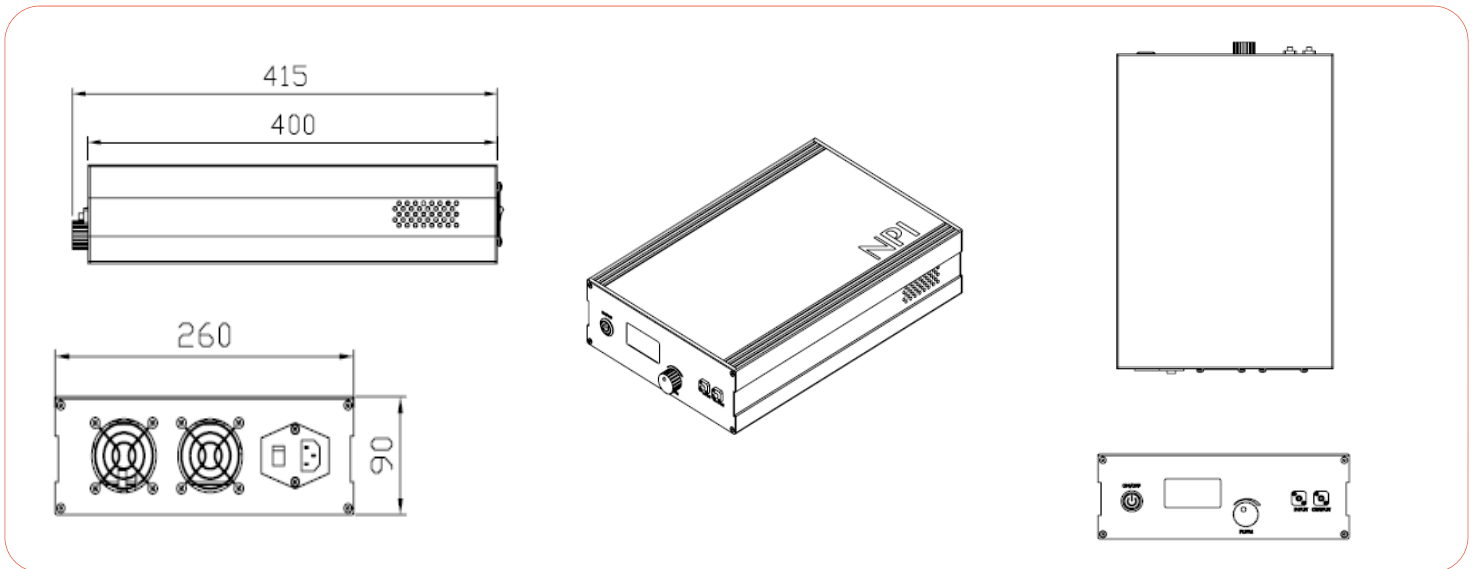
NPI Lasers is an innovative manufacturer of versatile, reliable and cost-effective fiber laser modules operating in the mid-IR wavelength range. Our team shares a combined optical research/industrial experiences of more than 60 years and this ensures that we understand your specific application needs no matter it is in the field of niche photonics research, industrial sensing and detection, advanced bio-medical procedures, or next-generation laser material processing.


### APPLICATIONS

- LIDAR
- Silicon photonics
- Mid-IR generation
- Mid-IR spectroscopy
- Research & development

# SPECIFICATIONS

Parameter	Specification	Parameter	Specification
Gain wavelength range	1920-2000 nm	Operating temperature	+10 to +40 °C
Small signal gain	19 dB	Power requirement	AC 100-240 V (50 Hz/60 Hz)
Gain peak wavelength	1950 nm	Power consumption	<20 W
Saturation power	200 mW	Dimensions	415mm x 260mm x 90mm
Optical noise figure	<8 dB	Weight	4.8kg
Beam quality, M <sup>2</sup>	<1.1	Connector/fiber type	SM2000 single mode fiber, 1m pigtail FC/PC or FC/APC connector





VISIBLE OR INVISIBLE RADIATION  
AVOID EYE OR SKIN EXPOSURE TO  
DIRECT OR SCATTERED RADIATION  
CLASS 3B LASER PRODUCT

**CAUTION: THIS IS A CLASS 3B LASER PRODUCT AND ADJUSTMENT OTHER THAN THOSE SPECIFIED IN THE PRODUCT MANUAL MAY RESULT IN HAZARDOUS LASER RADIATION EXPOSURE**

**ADDRESS**

DM Optics Ltd The Hive, Beaufighter Road,  
Weston-super-Mare, BS28 8EE, UK

**CONTACT NUMBER**

+44 (0)1934 750655

**EMAIL**

sales@dmoptics.co.uk